



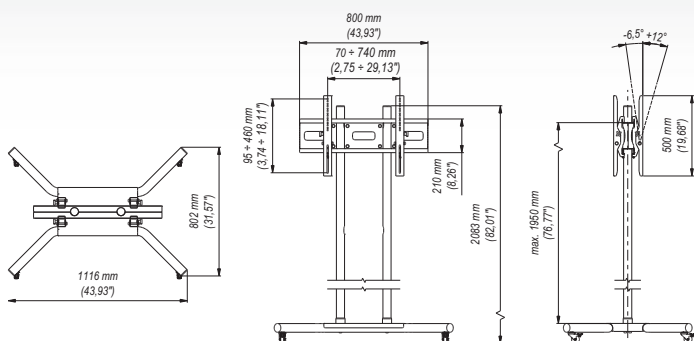
# TR12 ■ Double Plasma/LCD Trolley 37"-52"



## Features

- 1 INSTALLATION OF 2 SCREENS ON ONE MOUNT
- 2 MODERN DESIGN
- 3 CASTERS WITH BRAKES

## Technical Data



100x100 mm  
200x100 mm  
200x200 mm  
300x300 mm  
400x200 mm  
400x400 mm  
600x400 mm

37"-52"

100 Kg

min. 70x95 mm  
max. 740x460 mm



-6,5°/+12°



1950 mm

## Trade Information

Index	Colour	Package	EAN
TR12c-B	■	■	5908252960118
TR12s-B	■	■	5908252963881

Package Dimensions [mm] (H x W x D)	1200x600x140
Weight [Kg]	50

## Accessories

RF

